

Fusible disconnect switches OS60 and OS100 Gamma range

OS Gamma fusible disconnect switches ensure safe operation, protecting both people and equipment even in extreme conditions.

Designed for safety

Designed and based on substantial experience of electrical safety, OS Gamma fusible disconnect switches eliminate the risk of electrical accidents:

- The interlocking fuse covers prevent opening while the fusible switch is in the ON-position and can be sealed in the closed position.
- Double insulated external operating handle that eliminates the risk of touching live parts outside the box.
- Reliable contact position indication in all situations.
- Frame made of robust plastic, with excellent mechanical and thermal properties.
- Voltage output pins as standard.
- Pole markings as standard.
- You take no risks with OS Gamma range.

Superior performance

- Smart design, with optimal contact constructions.
- High insulation ratings
- OS Gamma fusible disconnect switches meet the requirements to be installed close to the main transformer: up to 200 kA in heavy industry and in ships.
- Suitable for all applications in low voltage networks



Easy installation

- Adjustable mounting feet that allow top and side mounting.
- Mounting the cables is simple thanks to high terminal positioning with space to the back plate. This is also ideal for double cabling, which in turn saves space.
- Flexible and time-saving installation

Compact construction

- An intelligent construction in combination with a small number of components results in a very compact mechanism design.
- Very small footprint area.
- Space savings mean cost reduction

A wide selection of accessories improves the usability of the fusible switches.

Fusible disconnect switches - OS60 and OS100 Gamma range

Ordering information / Technical data

Ordering information

OS60G_



OS100G_



Catalog number	Number of poles	Weight/unit [kg]
OS60GJ03	3	1.3
OS60GJ12	3	1.3
OS60GJ04F	4	1.8
OS60GJ22F	4	1.8
OS100GJ03	3	2.2
OS100GJ12	3	2.2
OS100GJ04F	4	2.7
OS100GJ22F	4	2.7

Accessories

Auxiliary Contacts

Item	Catalog number
1NC	OA1G10*
1NO	OA3G01*
Auxiliary contact module	OEA28

* Add suffix "AU" for gold contacts

Lugs

Item	Catalog number
OS100G	OZXA-24

Direct mount handles

Item	Catalog number
OS60G & OS100G	OSV200BK

DIN rail adapter

Item	Catalog number
OS60G & OS100G	OSGZD1

Technical data

Technical data according to UL/cUL-us			A	OS 60G	OS 100G
General purpose amp rating		-40° to 40 °C	A	60	100
Max. operating voltage			VAC	600	600
			VDC	250	250
Max. horsepower rating / motor FLA current		240 V	HP/A	15/42.0	30/80.0
		480 V	HP/A	30/40.0	60/77.0
		600 V	HP/A	50/52.0	75/77.0
Short circuit rating with fuse, 3 and 4-pole types			kA	200	200
	UL/CSA fuse size		A	60	100
	UL/CSA fuse type			J	J
Min. electrical endurance	pf= 0.75...0.8	operation cycles		6000	6000
Mechanical endurance		operation cycles		20000	20000
Terminal lug kits				Integral	OZXA-24
Wire range			AWG	#14-4	#14-2/0
Torque	Wire tightening		lb.in	30/35 ¹⁾	120
	Lug mounting		lb.in	N/A	50

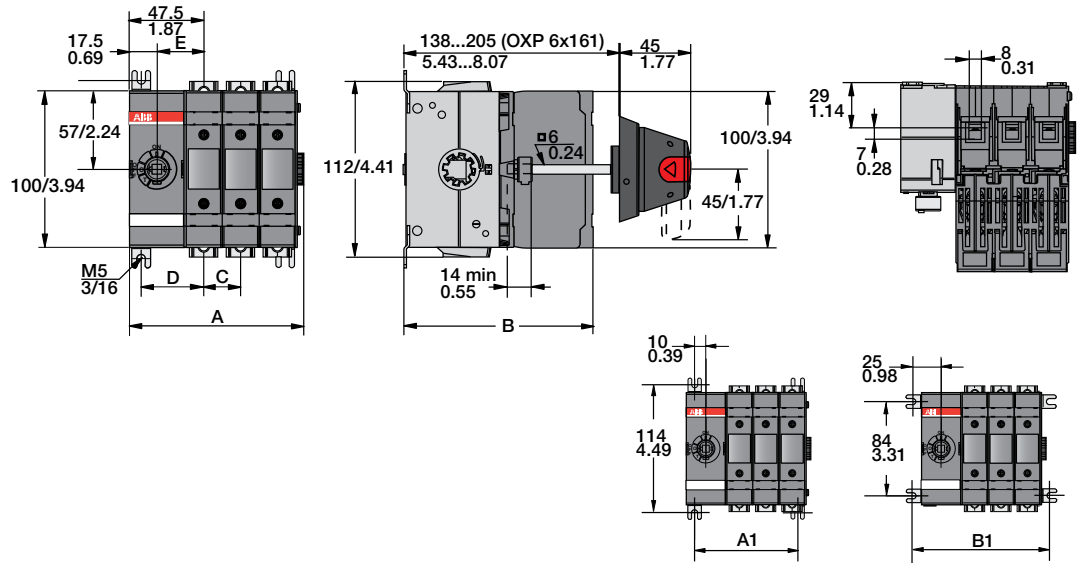
¹⁾ 30 lb.in with cable size #14-10, 35lb.in with cable size #8-4

Fusible disconnect switches - OS60 and OS100 Gamma range

Dimension drawings

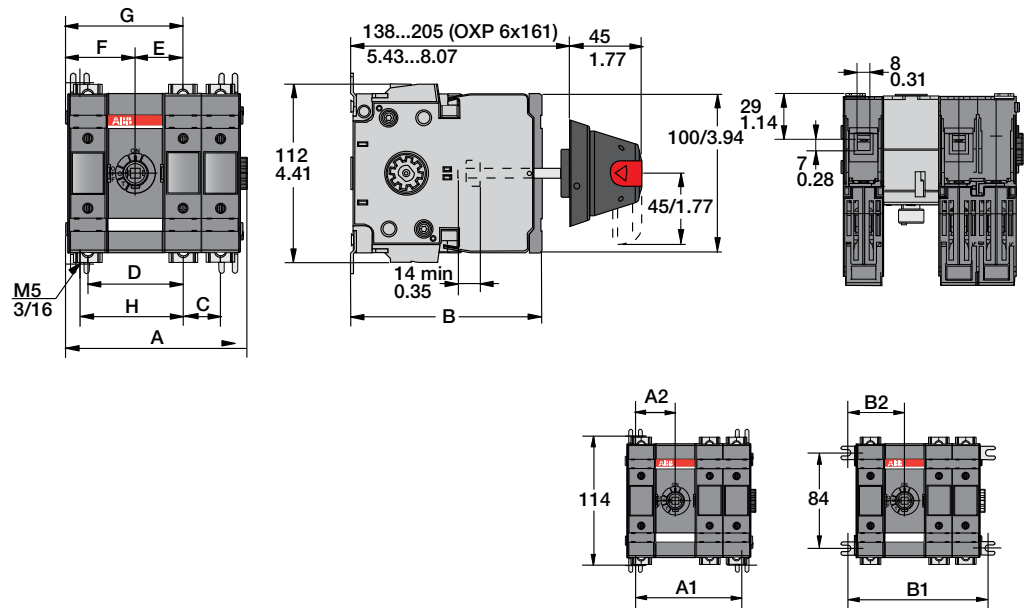
OS60G_03-04

	J03 [mm/in]	J04 [mm/in]
A	144.5/5.69	179.5/7.07
B	118/4.65	118/4.65
C	35/1.38	35/1.38
D	45.5/1.79	45.5/1.79
E	36/1.41	36/1.41
A1	121/4.76	156/6.14
B1	151/5.94	186/7.32



OS60G_12-22

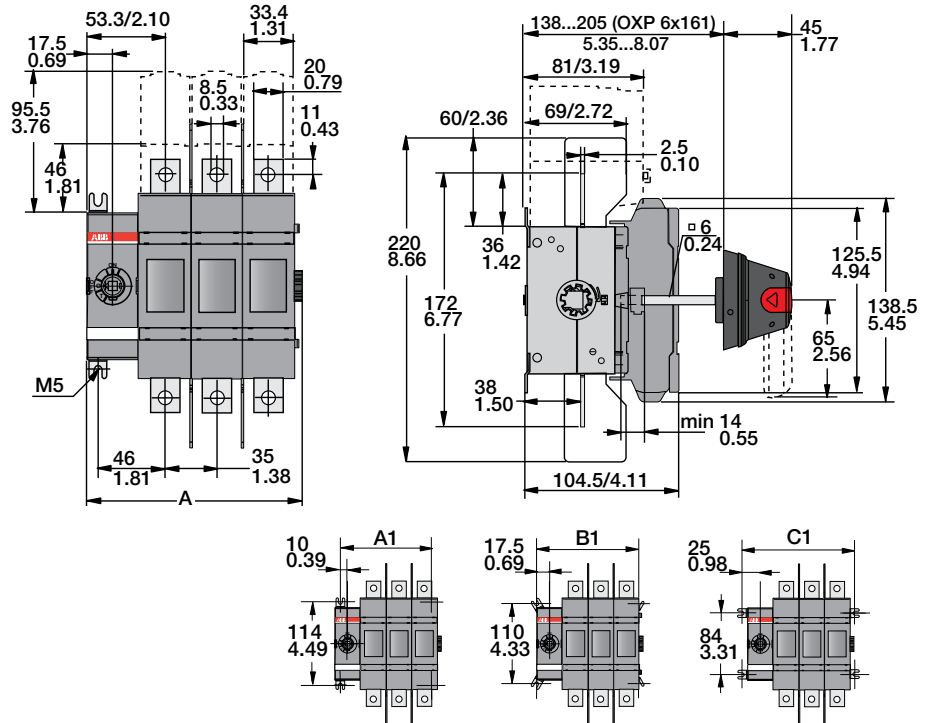
	J12 [mm/in]	J13 [mm/in]	J22 [mm/in]
A	109.5/4.31	144.5/5.69	179.5/7.07
B	118/4.65	118/4.65	118/4.65
C	35/1.38	35/1.38	35/1.38
D	45.5/1.79	45.5/1.79	45.5/1.79
E	36/1.41	36/1.41	36/1.41
A1	86/3.39	121/4.76	156/6.14
B1	116/4.57	151/5.94	186/7.32



Fusible disconnect switches - OS60 and OS100 Gamma range Dimension drawings

OS100G_03-04

	J03 [mm/in]	J04 [mm/in]
A	146.5/5.77	181.5/7.15
A1	125/4.92	160/6.30
B1	140/5.51	175/6.89
C1	155/6.10	190/7.48



OS100G_12-22

	J12 [mm/in]	J13 [mm/in]	J22 [mm/in]
A	148/5.83	183/7.20	183/7.20
B	81/3.19	81/3.19	116/4.57
A1	125/4.92	160/6.30	160/3.15
A2	71.5/2.81	45/1.77	80/3.15
B1	45/1.77	175/6.89	175/6.89
B2	52.5/2.07	52.5/2.07	160/3.44
C1	155/6.10	190/7.48	190/7.48
C2	60/2.36	60/2.36	95/3.74

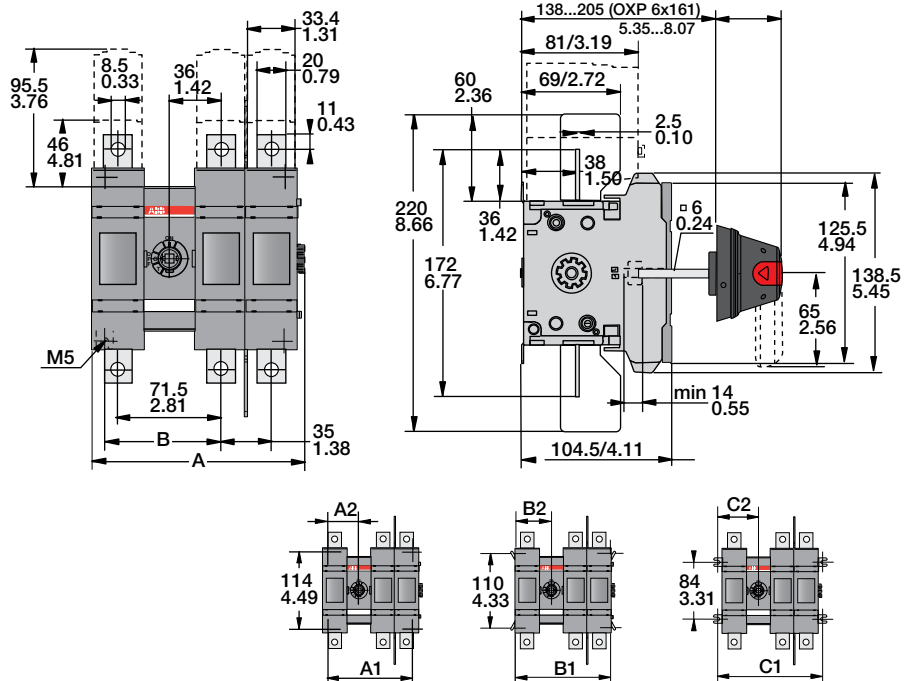


ABB Inc.

Low Voltage Control Products
16250 W. Glendale Drive
New Berlin, WI 53151
Phone: 888-385-1221
Fax: 800-726-1441

USA Technical support & Customer Service:

888-385-1221, Option 4
7:30AM to 5:30PM, CST,
Monday - Friday
lvps.support@us.abb.com

Web: www.abb.us/lowvoltage