



Terminal Blocks entrelec® according to IEC 60947-7

Quick-connect

A
9

Contents

Quick-connect Terminal Blocks with Longitudinal Tabs	176
Quick-connect Terminal Blocks with Longitudinal Tabs and Pins for Soldered Connection	179



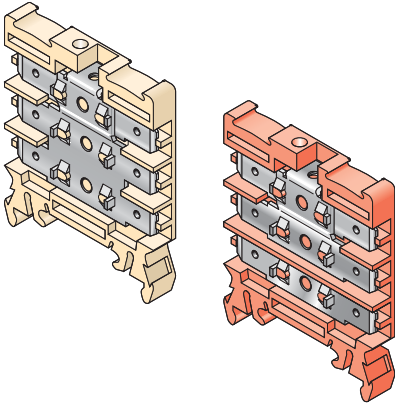
IEC 60947-7


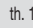


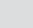



Terminal block with longitudinal quick connect tabs

Assembled without cover

 DIN 3 - reinforced rail type 2



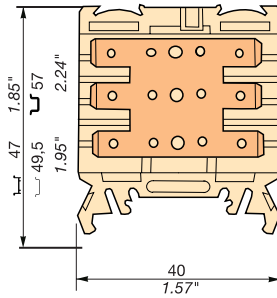
End stop		th. 10 mm	BAM2	V0	1SNA 296 351 R0000
End stop		th. 10,7 mm	BAH24		1SNA 168 355 R1300
Rail		35 x 7,5 x 1	PR3.Z2		1SNA 174 300 R1700
Rail		35 x 15 x 2,3	PR4		1SNA 168 500 R1200
Rail		35 x 15 x 1,5	PR5		1SNA 168 700 R2200
Rail		21,8 x 8,2 x 1,5	PRH2R		1SNA 163 350 R1500

Other end stops, rails and accessories : see section on accessories.

Notes

HD 2,5/6.3.3G.3G.1

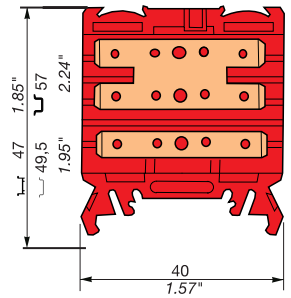
Spacing 6 mm




1 circuit. 1 terminal block with 6 tabs for 6.3 x 0.8 mm (.248" x .031") quick connect with possible testing and transverse connection.

HD 2,5/6.3.2G.2G.1.GG

Spacing 6 mm



2 circuits. 1 terminal block with 4 tabs for 6.3 x 0.8 mm (.248" x .031") quick connect with possible testing and transverse connection. 1 terminal block with 2 tabs for 6.3 x 0.8 mm (.248" x .031") quick connect.

Color	Type	Part numbers
Beige 	HD 2,5/6.3.3G.3G.1	1SNA 190 316 R2700

Color	Type	Part numbers
Red 	HD 2,5/6.3.2G.2G.1.GG	1SNA 190 312 R2300

Characteristics

Wire size	NFC		DIN	
	Quick-connect	6,3 x 0,8 mm (serie 250) - 2,5 mm² max.		

Characteristics

Wire size	NFC		DIN	
	Quick-connect	6,3 x 0,8 mm (serie 250) - 6 mm² max.		

Rated voltage

V AC	250 Cat. C (2)	250 Gr. C	
V DC	250 Cat. C (2)	300 Gr. C	
Pollution degre			

Rated voltage

V AC	250 Cat. C (2)	250 Gr. C (2)	
V DC	250 Cat. C (2)	300 Gr. C (2)	
Pollution degre			

Rated current

Rated	25		
-------	----	--	--

Rated current

Rated	25 A		
-------	------	--	--

Wire size

Rated	2,5 mm²		
-------	---------	--	--

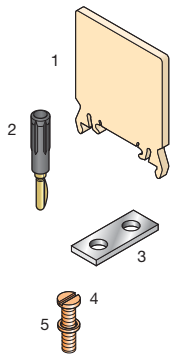
Wire size

Rated	2,5 mm²		
-------	---------	--	--

Weight			
10 g			
0.35 oz			


Weight			
10 g			
0.35 oz			

Accessories



- End section
- Test plug
- Jumper bar

- Screw for BJS
- Washer for VSJ6

R  See section on markers marking method

Type	Part numbers	
FEHD2 th. 3 mm	1SNA 168 949 R1700	
FC2 DIA 2 mm	1SNA 007 865 R2600	
BJS61 (1) spacing 6 mm		
2 poles	1SNA 168 481 R2300	
3 poles	1SNA 168 482 R2400	
4 poles	1SNA 168 483 R2500	
5 poles	1SNA 168 484 R2600	
10 poles	1SNA 168 485 R2700	
VSJ6	1SNA 167 735 R2700	
RDJ6	1SNA 173 241 R0600	

Type	Part numbers	
FEHD2 th. 3 mm	1SNA 168 949 R1700	
FC2 DIA 2 mm	1SNA 007 865 R2600	
BJS61 (1) spacing 6 mm		
2 poles	1SNA 168 481 R2300	
3 poles	1SNA 168 482 R2400	
4 poles	1SNA 168 483 R2500	
5 poles	1SNA 168 484 R2600	
10 poles	1SNA 168 485 R2700	
VSJ6	1SNA 167 735 R2700	
RDJ6	1SNA 173 241 R0600	


RC610 On top RC65 Each side (on foot)

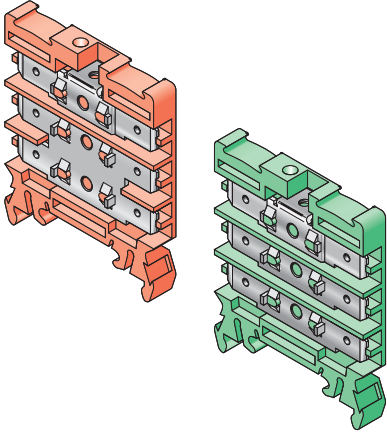
RC610 On top RC65 Each side (on foot)






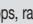
- Use of these accessories requires the cut out of the block body (precut).
- Voltage only when isolated fast-on clips are used.

Terminal block with longitudinal quick connect tabs

Assembled without cover

 DIN 3 - reinforced rail type 2



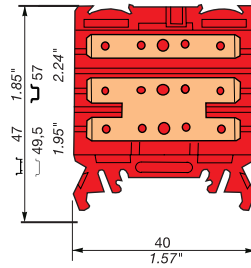
End stop		th. 10 mm	BAM2	V0	1SNA 296 351 R0000
End stop		th. 10,7 mm	BAH24		1SNA 168 355 R1300
Rail		35 x 7,5 x 1	PR3.Z2		1SNA 174 300 R1700
Rail		35 x 15 x 2,3	PR4		1SNA 168 500 R1200
Rail		35 x 15 x 1,5	PR5		1SNA 168 700 R2200
Rail		21,8 x 8,2 x 1,5	PRH2R		1SNA 163 350 R1500

Other end stops, rails and accessories : see section on accessories.

Notes

HD 2,5/6.3.GG1.2G.2G

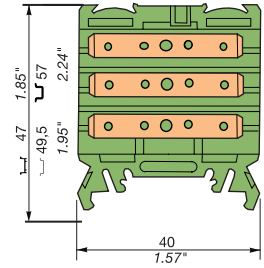
Spacing 6 mm



2 circuits. 1 terminal block with 2 tabs for 6.3 x 0.8 mm (.248" x .031") quick connect with possible testing and transverse connection. 1 terminal block with 4 tabs 6.3 x 0.8 mm (.248" x .031") quick connect.

HD 2,5/6.3.GG.1.2GG

Spacing 6 mm



3 circuits. 1 terminal block with 2 tabs for 6.3 x 0.8 mm (.248" x .031") quick connect with possible testing and transverse connection. 2 terminal blocks with 2 tabs 6.3 x 0.8 mm (.248" x .031") quick connect.

Color	Type	Part numbers
Red ■	HD 2,5/6.3.GG1.2G.2G	1SNA 190 314 R2500

Color	Type	Part numbers
Green ■	HD 2,5/6.3.GG.1.2GG	1SNA 199 025 R1400

Characteristics

Wire size	NFC		DIN	
	Quick-connect	6,3 x 0,8 mm (serie 250) - 2,5 mm ² max.		

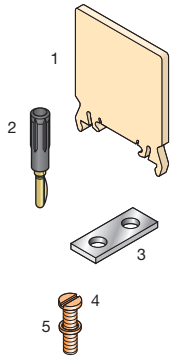
Characteristics

Wire size	NFC		DIN	
	Quick-connect	6,3 x 0,8 mm (serie 250) - 6 mm ² max.		

Rated voltage			
V AC	250 Cat. C (2)	250 Gr. C (2)	
V DC	250 Cat. C (2)	300 Gr. C (2)	
Pollution degree			
Rated current			
Rated	25		
Wire size			
Rated	2,5 mm ²		
Weight			
10 g			
0.35 oz			

Rated voltage			
V AC	250 Cat. C (2)	250 Gr. C (2)	
V DC	250 Cat. C (2)	300 Gr. C (2)	
Pollution degree			
Rated current			
Rated	25 A		
Wire size			
Rated	2,5 mm ²		
Weight			
10 g			
0.35 oz			


Accessories



- End section
- Test plug
- Jumper bar
- Screw for BJS
- Washer for VSJ6

Type	Part numbers
FEHD2 th. 3 mm	1SNA 168 949 R1700
FC2 DIA 2 mm	1SNA 007 865 R2600
BJS61 (1) spacing 6 mm	
2 poles	1SNA 168 481 R2300
3 poles	1SNA 168 482 R2400
4 poles	1SNA 168 483 R2500
5 poles	1SNA 168 484 R2600
10 poles	1SNA 168 485 R2700
VSJ6	1SNA 167 735 R2700
RDJ6	1SNA 173 241 R0600

Type	Part numbers
FEHD2 th. 3 mm	1SNA 168 949 R1700
FC2 DIA 2 mm	1SNA 007 865 R2600
BJS61 (1) spacing 6 mm	
2 poles	1SNA 168 481 R2300
3 poles	1SNA 168 482 R2400
4 poles	1SNA 168 483 R2500
5 poles	1SNA 168 484 R2600
10 poles	1SNA 168 485 R2700
VSJ6	1SNA 167 735 R2700
RDJ6	1SNA 173 241 R0600

 R See section on markers marking method

RC610 On top RC65 Each side (on foot)

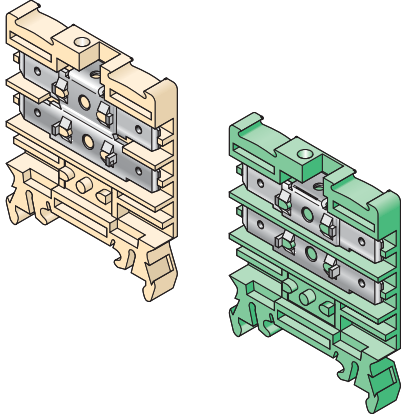
RC610 On top RC65 Each side (on foot)






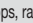
- Use of these accessories requires the cut out of the block body (precut).
- Voltage only when isolated fast-on clips are used.

Terminal block with longitudinal quick connect tabs

Assembled without cover

 **DIN 3 - reinforced rail type 2**

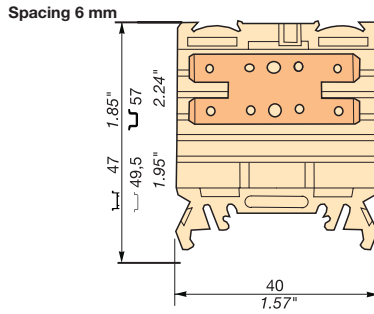


End stop		th. 10 mm	BAM2	V0	1SNA 296 351 R0000
End stop		th. 10,7 mm	BAH24		1SNA 168 355 R1300
Rail		35 x 7,5 x 1	PR3.Z2		1SNA 174 300 R1700
Rail		35 x 15 x 2,3	PR4		1SNA 168 500 R1200
Rail		35 x 15 x 1,5	PR5		1SNA 168 700 R2200
Rail		21,8 x 8,2 x 1,5	PRH2R		1SNA 163 350 R1500

Other end stops, rails and accessories : see section on accessories.

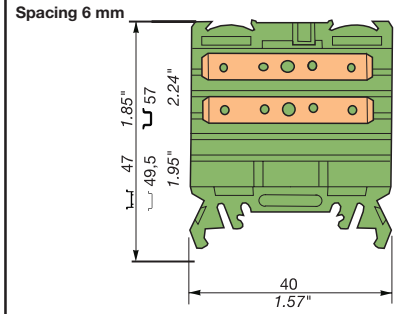
Notes

HD 2,5/6.3.2G.2G.1




1 circuit. 1 terminal block with 4 tabs for 6.3 x 0.8 mm (.248" x .031") quick connect with possible testing and transverse connection.

HD 2,5/6.3.GG1.GG



2 circuits. 1 terminal block with 2 tabs for 6.3 x 0.8 mm (.248" x .031") quick connect with possible testing and transverse connection. 1 terminal block with 2 tabs 6.3 x 0.8 mm (.248" x .031") quick connect.

Color	Type	Part numbers
Beige	 HD 2,5/6.3.2G.2G.1	1SNA 190 305 R0500

Color	Type	Part numbers
Green	 HD 2,5/6.3.GG1.GG	1SNA 199 024 R1300

Characteristics

Wire size	NFC		DIN	
	Quick-connect	6,3 x 0,8 mm (serie 250) - 2,5 mm ² max.		

Characteristics

Wire size	NFC		DIN	
	Quick-connect	6,3 x 0,8 mm (serie 250) - 6 mm ² max.		

Rated voltage			
V AC	250 Cat. C (2)	250 Gr. C (2)	
V DC	250 Cat. C (2)	300 Gr. C (2)	
Pollution degre			

Rated voltage			
V AC	250 Cat. C (2)	250 Gr. C (2)	
V DC	250 Cat. C (2)	300 Gr. C (2)	
Pollution degre			

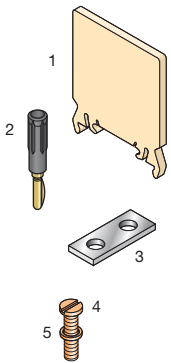
Rated current			
Rated	25		

Rated current			
Rated	25 A		

Wire size			
Rated	2,5 mm ²		
Weight			
10 g			
0.35 oz			

Wire size			
Rated	2,5 mm ²		
Weight			
10 g			
0.35 oz			


Accessories



- End section
- Test plug
- Jumper bar
- Screw for **BJS**
- Washer for **VSJ6**

Type	Part numbers
FEHD2 th. 3 mm	1SNA 168 949 R1700
FC2 DIA 2 mm	1SNA 007 865 R2600
BJS61 (1) spacing 6 mm	
2 poles	1SNA 168 481 R2300
3 poles	1SNA 168 482 R2400
4 poles	1SNA 168 483 R2500
5 poles	1SNA 168 484 R2600
10 poles	1SNA 168 485 R2700
VSJ6	1SNA 167 735 R2700
RDJ6	1SNA 173 241 R0600

Type	Part numbers
FEHD2 th. 3 mm	1SNA 168 949 R1700
FC2 DIA 2 mm	1SNA 007 865 R2600
BJS61 (1) spacing 6 mm	
2 poles	1SNA 168 481 R2300
3 poles	1SNA 168 482 R2400
4 poles	1SNA 168 483 R2500
5 poles	1SNA 168 484 R2600
10 poles	1SNA 168 485 R2700
VSJ6	1SNA 167 735 R2700
RDJ6	1SNA 173 241 R0600


R  See section on markers marking method

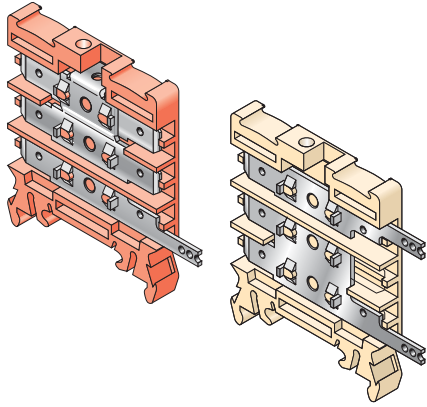
RC610 On top RC65 Each side (on foot) RC610 On top RC65 Each side (on foot)






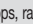
- Use of these accessories requires the cut out of the block body (precut).
- Voltage only when isolated fast-on clips are used.

Terminal block with longitudinal quick connect tabs

Assembled without cover

 DIN 3 - reinforced rail type 2

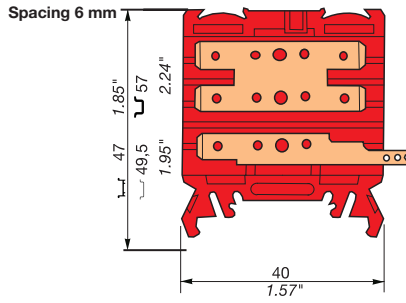


End stop		th. 10 mm	BAM2	V0	1SNA 296 351 R0000
End stop		th. 10,7 mm	BAH24		1SNA 168 355 R1300
Rail		35 x 7,5 x 1	PR3.Z2		1SNA 174 300 R1700
Rail		35 x 15 x 2,3	PR4		1SNA 168 500 R1200
Rail		35 x 15 x 1,5	PR5		1SNA 168 700 R2200
Rail		21,8 x 8,2 x 1,5	PRH2R		1SNA 163 350 R1500

Other end stops, rails and accessories : see section on accessories.

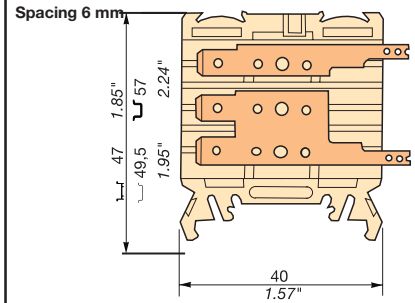
Notes

HD 2,5/6.3.2G.2G.GH



2 circuits. 1 terminal block with 4 tabs for 6.3 x 0.8 mm (.248" x .031") quick connect with possible testing and transverse connection. 1 terminal block with 1 tabs for 6.3 x 0.8 mm (.248" x .031") quick connect and 1 pin for soldered connection.

HD 2,5/6.3.GH.2G.H



2 circuits. 1 terminal block with 1 tab for 6.3 x 0.8 mm (.248" x .031") quick connect. 1 terminal block with 1 tabs for 6.3 x 0.8 mm (.248" x .031") quick connect and 1 pin for soldered connection.

Color	Type	Part numbers
Red	 HD 2,5/6.3.2G.2G.GH	1SNA 199 029 R2000

Color	Type	Part numbers
Beige	 HD 2,5/6.3.GH.2G.H	1SNA 199 096 R1400

Characteristics

Wire size	NFC		DIN	
	Quick-connect	6,3 x 0,8 mm (serie 250) - 2,5 mm ² max.		
	0,5 - 1,5 mm ²	0,5 - 1,5 mm ²	0,5 - 1,5 mm ²	0,5 - 1,5 mm ²
	0,5 - 1 mm ²	0,5 - 1 mm ²	0,5 - 1 mm ²	0,5 - 1 mm ²

Characteristics

Wire size	NFC		DIN	
	Quick-connect	6,3 x 0,8 mm (serie 250) - 6 mm ² max.		
	0,5 - 1,5 mm ²	0,5 - 1,5 mm ²	0,5 - 1,5 mm ²	0,5 - 1,5 mm ²
	0,5 - 1 mm ²	0,5 - 1 mm ²	0,5 - 1 mm ²	0,5 - 1 mm ²

Rated voltage

V AC	250 Cat. C (2)	250 Gr. C (2)
V DC	250 Cat. C (2)	300 Gr. C (2)
Pollution degre		

Rated voltage

V AC	250 Cat. C (1)	250 Gr. C (1)
V DC	250 Cat. C (1)	300 Gr. C (1)
Pollution degre		

Rated current

Rated	25
-------	----

Rated current

Rated	25 A
-------	------

Wire size

Rated	2,5 mm ²
-------	---------------------

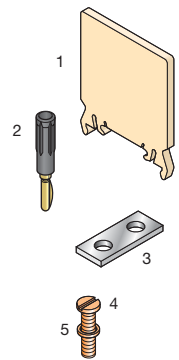
Wire size

Rated	2,5 mm ²
-------	---------------------

Weight	
10 g	
0.35 oz	

Weight	
10 g	
0.35 oz	

Accessories



- End section
- Test plug
- Jumper bar

- Screw for BJS
- Washer for VSJ6

R



See section on markers marking method

Type		Part numbers
FEHD2	th. 3 mm	1SNA 168 949 R1700
FC2	DIA 2 mm	1SNA 007 865 R2600
BJS61 (1)	spacing 6 mm	
	2 poles	1SNA 168 481 R2300
	3 poles	1SNA 168 482 R2400
	4 poles	1SNA 168 483 R2500
	5 poles	1SNA 168 484 R2600
	10 poles	1SNA 168 485 R2700
VSJ6		1SNA 167 735 R2700
RDJ6		1SNA 173 241 R0600

Type		Part numbers
FEHD2	th. 3 mm	1SNA 168 949 R1700

RC610 On top RC65 Each side (on foot)

RC610 On top RC65 Each side (on foot)

- Use of these accessories requires the cut out of the block body (precut).
- Voltage only when isolated fast-on clips are used.